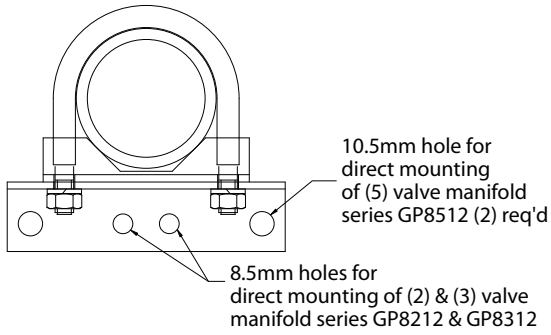


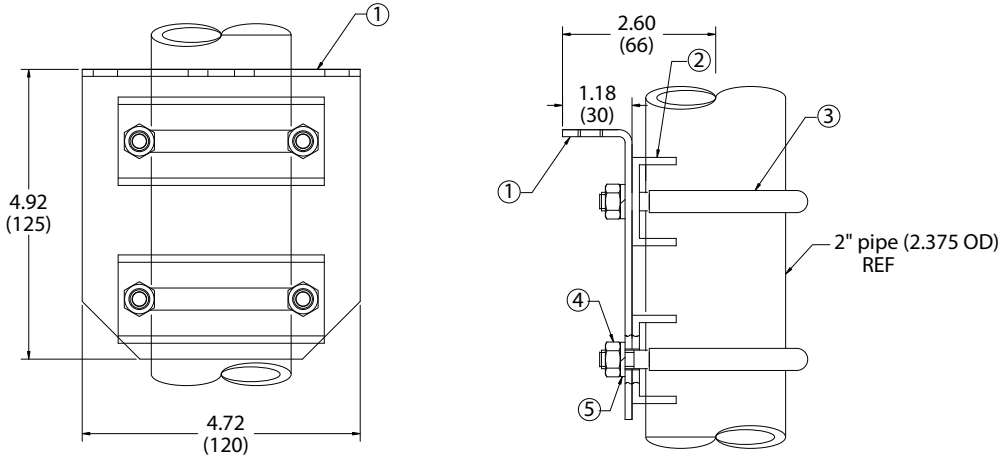
General Purpose Manifold Mounting Kits

80000K1 – For Direct Mount Models

Dimensions are in inches (millimeters) are for reference only and are subject to change.

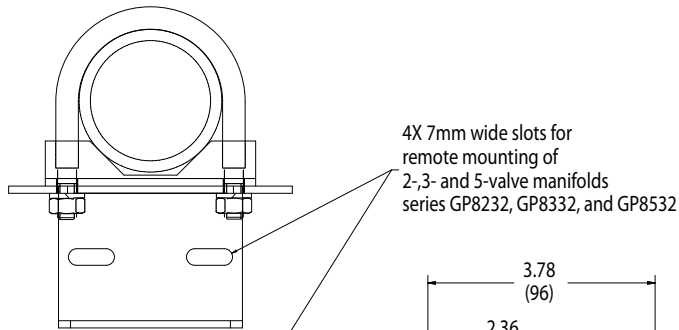


ITEM	TITLE	MATERIAL
1	Bracket	SST 304
2	Clamp Plate	SST 304
3	U-Bolt	SST 316
4	Nut, Hex	SST
5	Washer, Lock	SST



80000K2 – For Remote Mount Models

Dimensions are in inches (millimeters) are for reference only and are subject to change.



ITEM	TITLE	MATERIAL
1	Bracket	SST 304
2	Clamp Plate	SST 304
3	U-Bolt	SST 316
4	Nut, Hex	SST
5	Washer, Lock	SST

